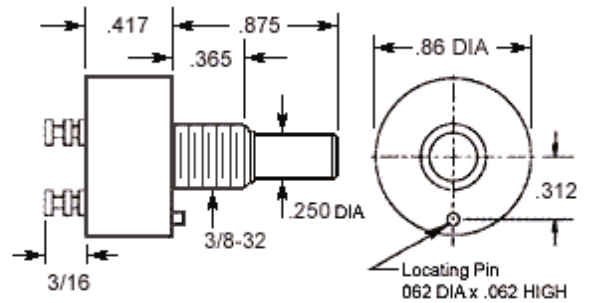
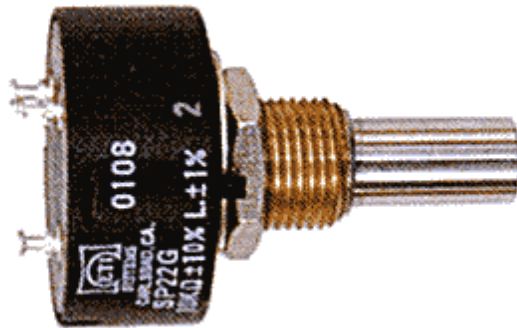




**SP22G Conductive Plastic
Precision Single Turn Potentiometer**



SP22G Precision Industrial Single Turn Potentiometer

- Conductive Plastic Element. Solderable Double Turret Terminals.
- Brass Bushing; 1/4" Dia. Stainless Steel Shaft
- High Temperature Plastic Housing.
- Recommended for Heavy Equipment, Robotics, Industrial, Test and Lab Equipment.
- Operating Temperature: -55°C to +125°C (105°C sustained)
- Resistance Tolerance: ±10% standard (±5% available)
- Linearity: ±1.0% standard (up to ±0.25% available)
- Contact Resistance Variation: below 2%
- End Resistance: 0.2% max.
- Mechanical Angle: 360° (continuous)
- Electrical Angle: 340° ±4°
- Life Expectancy: 10 million turns
- Power Rating: 1 Watt
- Hysteresis (backlash effect): below 0.5°
- Torque: 0.7 oz. in.
- Weight: Approx. 1.1 oz. max.

